

# AM/FM STEREO RECEIVER

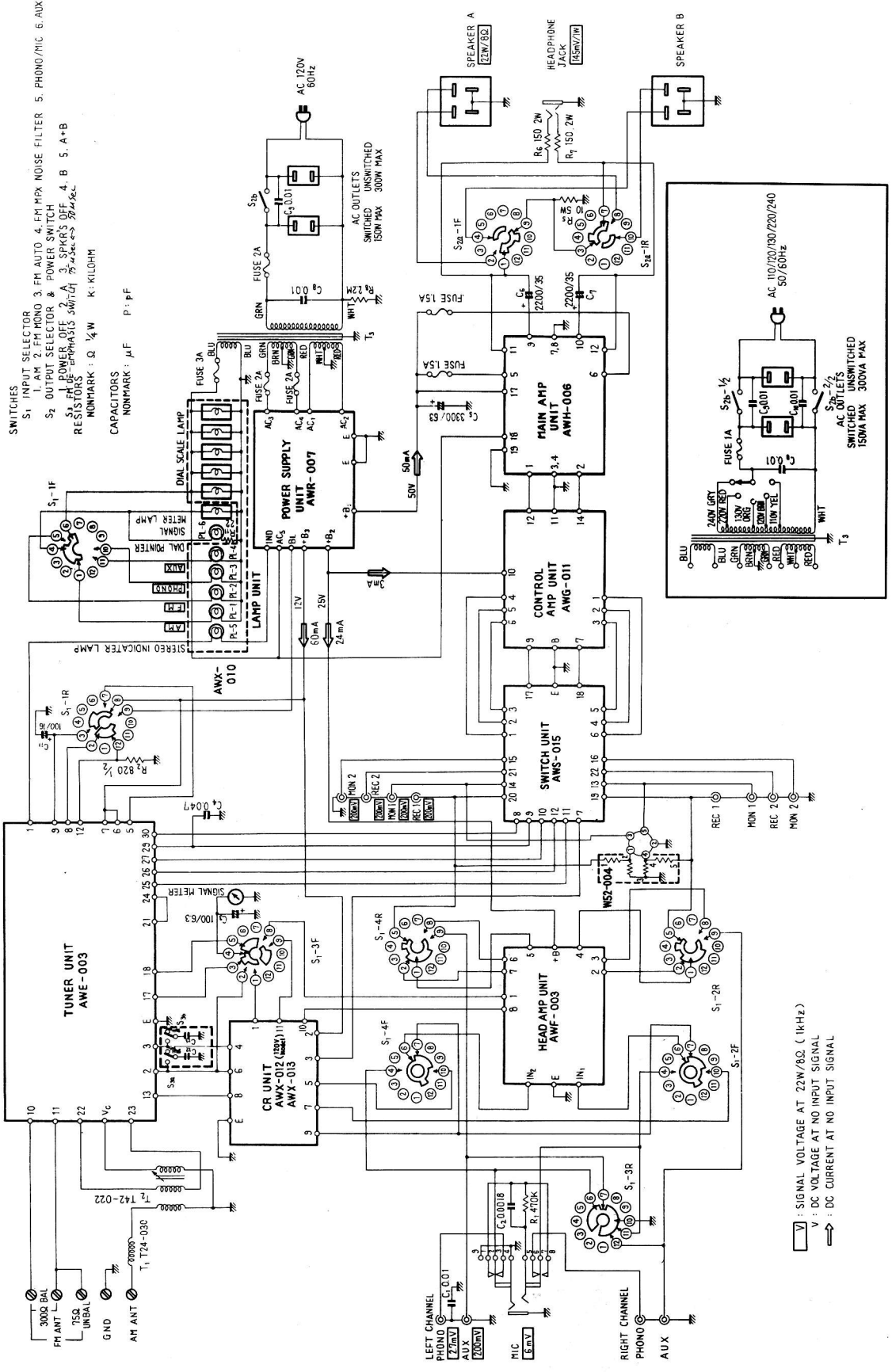
## SX-525

UNIT \ ROUND LABEL	FVZW	KW				
TUNER UNIT	AWE-003	AWE-003				
FM FRONT END						
FM IF UNIT						
MPX UNIT						
AM TUNER UNIT						
MUTING UNIT						
HEAD AMP UNIT	AWF-003	AWF-003				
CONTROL AMP UNIT	AWG-011	AWG-011				
MAIN AMP UNIT	AWH-006	AWH-006				
POWER SUPPLY UNIT	AWR-007	AWR-007				
SWITCH UNIT	AWS-015	AWS-015				
LAMP UNIT	AWX-010	AWX-010				
CR UNIT	AWX-013	AWX-012				
TONE COLOR UNIT						
CONTROL UNIT						
MIC AMP UNIT						
REVERBE AMP UNIT						
REVERBE UNIT						



**SX-525**

---bold broken line) NOT IN MODELS FOR 120V AC POWER SOURCE ONLY; NOT IN FTZ APPROVED MODELS.

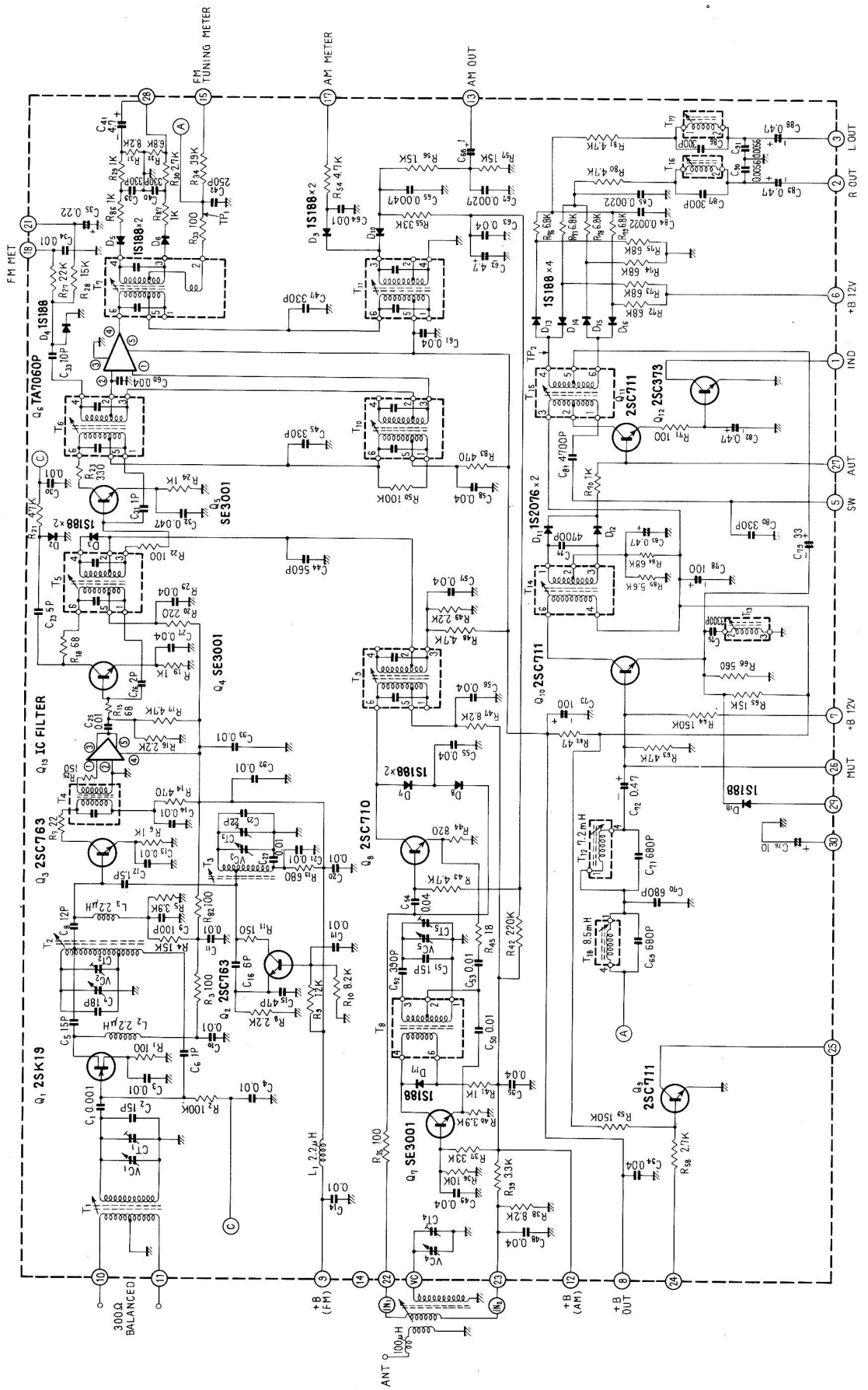


- SWITCHES**  
 S<sub>1</sub> INPUT SELECTOR  
 1. AM 2. FM MONO 3. FM AUTO 4. FM MPX NOISE FILTER 5. PHONO/MIC 6. AUX  
 S<sub>2</sub> OUTPUT SELECTOR & POWER SWITCH  
 1. AM 2. FM MONO 3. FM AUTO 4. FM MPX NOISE FILTER 5. PHONO/MIC 6. AUX  
 S<sub>3</sub> POWER OFF  
 1. ON 2. OFF  
 S<sub>4</sub> PHONO EMPHASIS SWITCH  
 1. ON 2. OFF  
 S<sub>5</sub>-1R, S<sub>5</sub>-2R, S<sub>5</sub>-3R SPEAKERS OFF  
 1. ON 2. OFF
- RESISTORS**  
 NONMARK : Ω ¼ W K: KILOHM  
 CAPACITORS  
 NONMARK : μF P: pF

⏏ : SIGNAL VOLTAGE AT 22W/8Ω (1kHz)  
 V : DC VOLTAGE AT NO INPUT SIGNAL  
 → : DC CURRENT AT NO INPUT SIGNAL

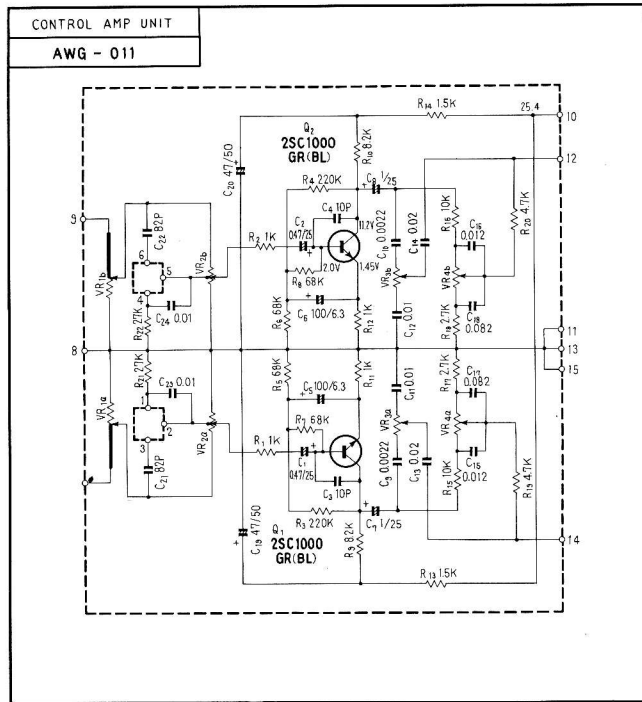
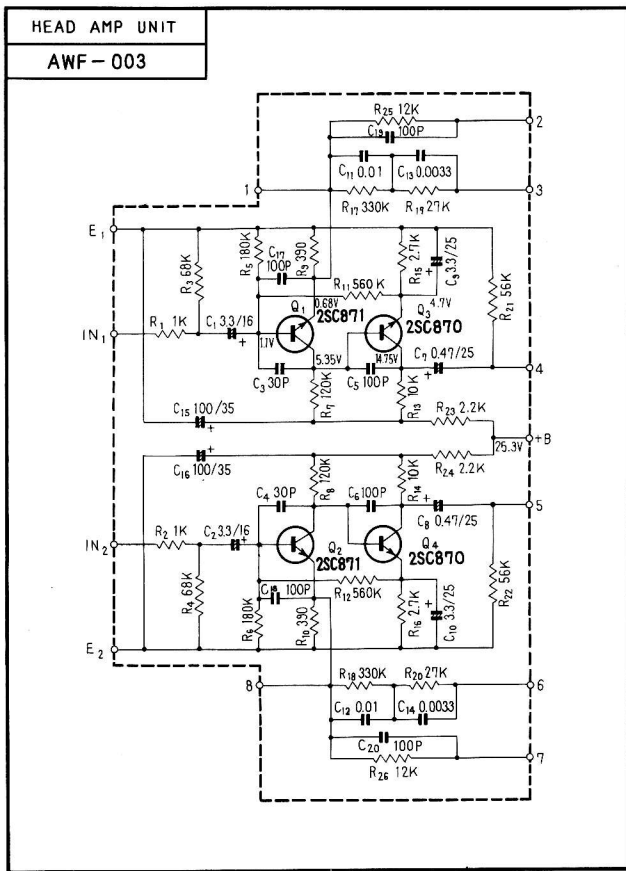
TUNER UNIT

TUNER UNIT  
AWE-003

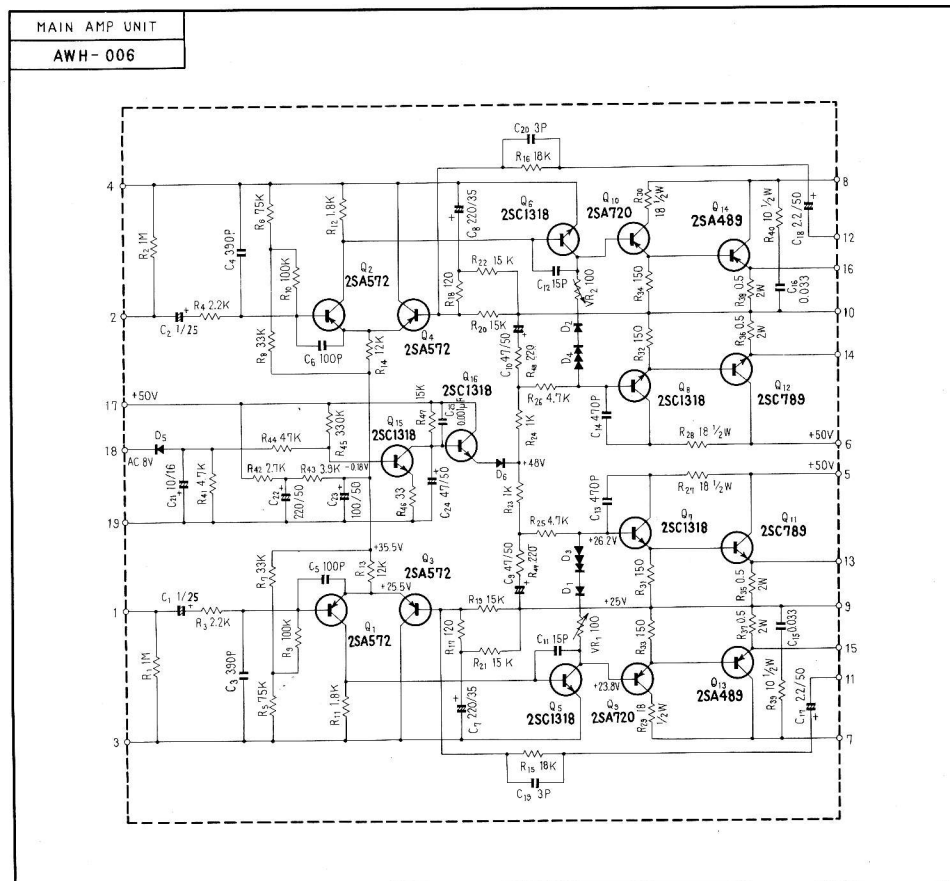


# HEAD AMP UNIT

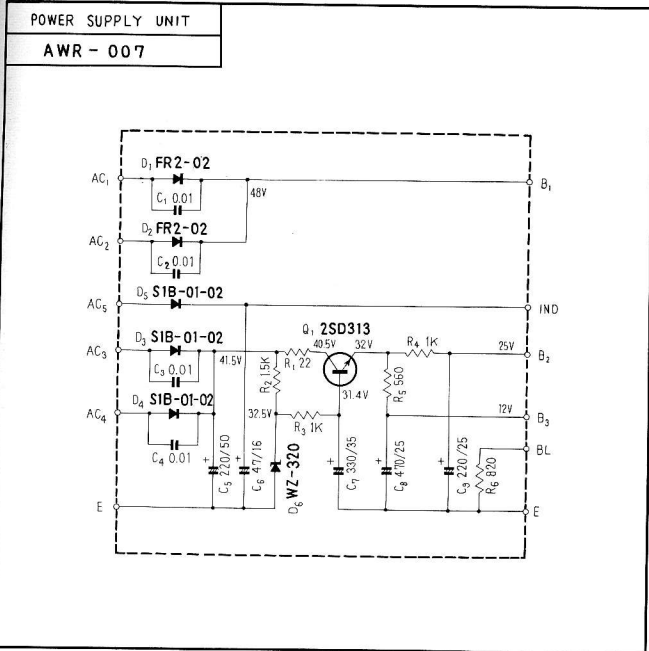
# CONTROL AMP UNIT



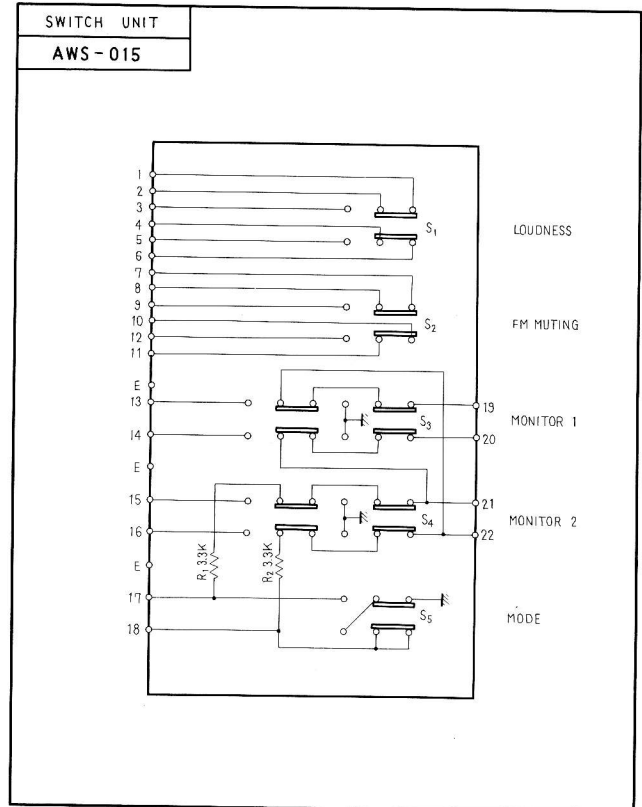
# MAIN AMP UNIT



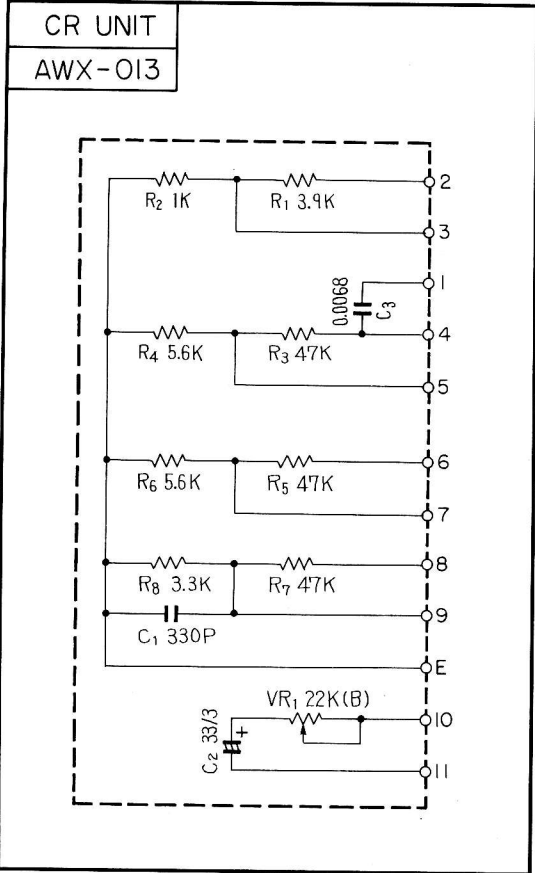
POWER SUPPLY UNIT



SWITCH UNIT



CR UNIT



CR UNIT for KW model

